



Benefits and features

- Pressurizing is done in seconds with a Power Tool
- Integrated safety collar with hydro sleeve
- Ergonomic design for safe and easy handling

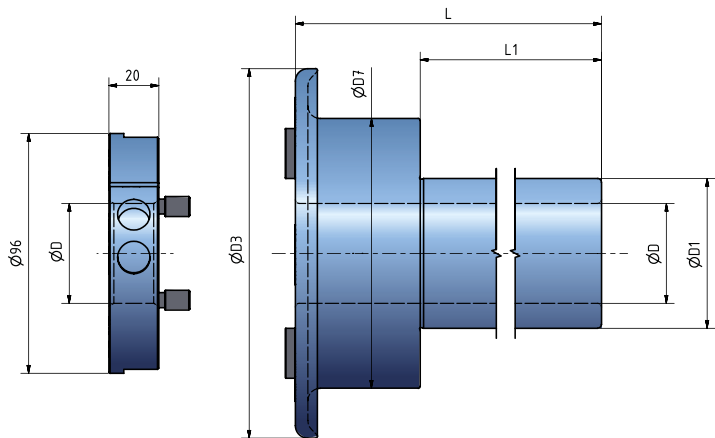
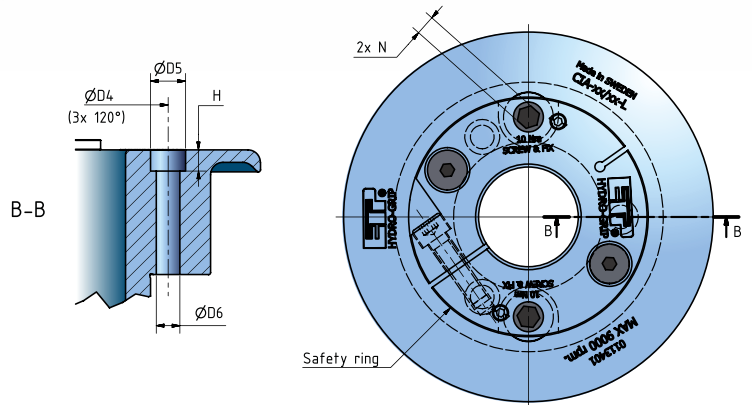
ETP HYDRO-GRIP® CIA

ETP HYDRO-GRIP CIA is the brand new hydro sleeve that will make your tool changes and -set up safer, easier and quicker than ever!

By using a Power Tool when pressurizing you can tighten it as much as you like, you are done in seconds and it is strong as an ox.

The integrated safety collar keep your precious fingers safe when handling sharp tools.

Sleeve for **interchangeable tool assembly** that can be used with different tools. The tool should be bolted to the sleeve's collar. Several tools can be mounted simultaneously.



Technical specification ETP HYDRO-GRIP® CIA

Type	D	D1	D3	D4	D5	D6	D7	H	L	L1
CIA-40/60-185	40	60	148	74	14	9.5	108	8.5	185	135
CIA-40/60-202	40	60	148	74	14	9.5	108	8.5	202	152
CIA-1 13/16"/60-185	1 13/16"	60	148	74	14	9.5	108	8.5	185	135

See section Technical Specification for more information.