

Benefits and features

- For drilling and light machining
- Easy handling
- Short overhang

ETP ECOGRIP™

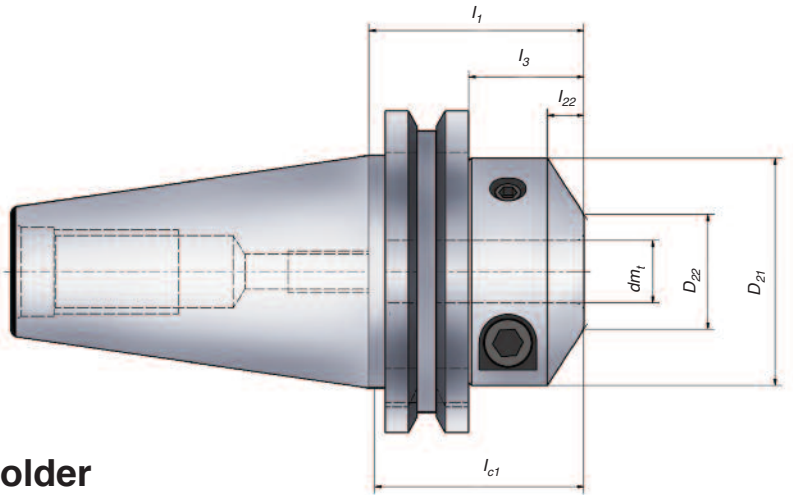
With the new ECOGRIP range ETP sets a new standard of hydraulic toolholders. ETP ECOGRIP has a very

compact and robust design. Tool changes are made quickly, easily and with high level of precision. With the minimum tool runout a

good surface quality is achieved along with extended tool life.

- Runout accuracy < 0.004 mm at $2.5 \times dm_t$ (max. 50 mm)
- Balancing grade: G 6.3 at 15 000 rpm
- Tool shank h6 or h7 can be used
- Can be used with reducing sleeve
- Center thread, M8, for axial length adjustment screw (screw not included)
- Coolant through on all holders
- Bore for data carrier – available on request

METRIC RANGE **INCH RANGE**



ETP ECOGRIP™

Hydraulic high precision toolholder

Technical Specification ISO form AD (A/B coolant on all CAT40 and CAT50 holders)

Spindle design	Taper	Part no.	Item description	Dimensions, mm						
				dm_t	D_{21}	D_{22}	l_1	l_3	l_{22}	l_{c1}
● ISO 7388/1	ISO40	686660	ECOGRIP-12/ISO40	12	43,5	22	41,1	22	7	40
		686670	ECOGRIP-20/ISO40	20	52	30	58	38,9	7	52
● ISO 7388/1	ISO50	686680	ECOGRIP-20/ISO50	20	52	30	41,1	22	7	52
		686690	ECOGRIP-32/ISO50	32	69,5	42	41,1	22	7	60
● MAS-BT 403	ISO30	686600	ECOGRIP-12/BT30	12	43,5	22	44	22	7	40
		686610	ECOGRIP-20/BT30	20	52	30	51	22	7	52
● MAS-BT 403	ISO40	686620	ECOGRIP-12/BT40	12	43,5	22	49	22	7	40
		686630	ECOGRIP-20/BT40	20	52	30	49	22	7	52
● MAS-BT 403	ISO50	686640	ECOGRIP-20/BT50	20	52	30	60	22	7	52
		686650	ECOGRIP-32/BT50	32	69,5	42	60	22	7	60
● Cat V	40	686780	ECOGRIP 12/CAT40	12	43,5	22	41,05	22	7	40
		686700	ECOGRIP-20/CAT40	20	52	30	58	22	7	52
● Cat V	50	686710	ECOGRIP-20/CAT50	20	52	30	41,05	22	7	52
		686720	ECOGRIP-32/CAT50	32	69,5	42	41,05	22	7	60
● Cat V	40	686780-T	ECOGRIP-1/2"/CAT40	0.500"	43,5	22	41,05	22	7	40
		686700-T	ECOGRIP-3/4"/CAT40	0.750"	52	30	58	22	7	52
● Cat V	50	686710-T	ECOGRIP-3/4"/CAT50	0.750"	52	30	41,05	22	7	52
		686720-T	ECOGRIP-1 1/4"/CAT50	1.250"	69,5	42	41,05	22	7	60

- From stock
- On request

l_1 = programming length