



**Multiple tools applications**



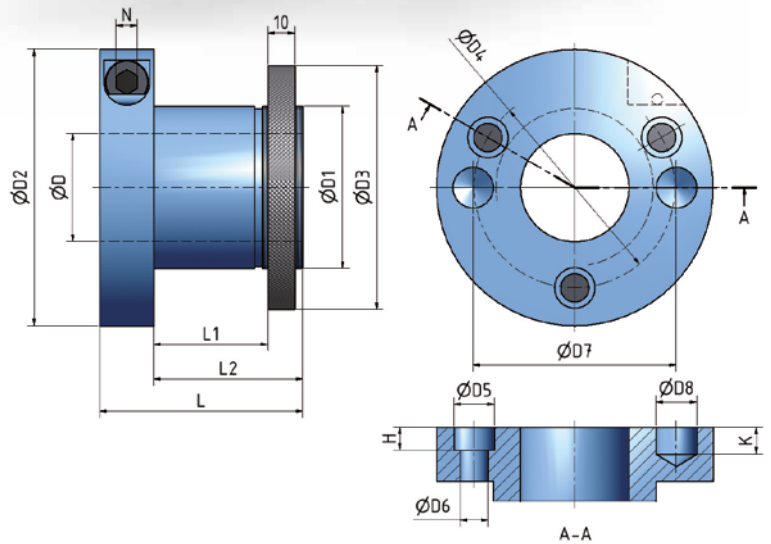
**Benefits and features**

- Fit your tools quick and easy
- Several tools can be mounted on the same sleeve
- Perfect centering and fastening with only an allen T-wrench
- Same durable pressurizing mechanism as CI

**ETP HYDRO-GRIP® BI**

Sleeve for **interchangeable tool assembly**, the same basic construction as the CI but also has a thread and locking nut. This means the sleeve can be easily switched between different tools. Several tools can be mounted to the same sleeve.

Pressurizing is carried out with an allen T-wrench.



**Technical specification ETP HYDRO-GRIP® BI**

Type	D	D1	D2	D3	D4	D5	D6	D7	D8	H	K	L	L1	L2	N
BI-40/50-75	40	50	100	83	64	14	9.5	65	15	8.5	10	75	40	55	8
BI-40/60-75	40	60	102	90	74	14	9.5	75	15	8.5	10	75	40	55	8
BI-40/60-95	40	60	108	90	74	14	9.5	75	15	8.5	10	95	60	75	8
BI-40/60-115	40	60	108	90	74	14	9.5	75	15	8.5	10	115	80	95	8
BI-50/60-75*	50	60	102	90	74	14	9.5	75	15	8.5	10	75	40	55	8
BI-50/60-95*	50	60	108	90	74	14	9.5	75	15	8.5	10	95	60	75	8
BI-50/60-115*	50	60	108	90	74	14	9.5	75	15	8.5	10	115	80	95	8
BI-1 1/2"/50-85	1 1/2"	50	100	83	64	14	9.5	65	15	8.5	10	85	50	65	8
BI-1 1/2"/50-135	1 1/2"	50	106	83	64	14	9.5	65	15	8.5	10	135	100	115	8
BI-1 13/16"/60-75	1 13/16"	60	102	90	74	14	9.5	75	15	8.5	10	75	40	55	8
BI-1 13/16"/60-115	1 13/16"	60	108	90	74	14	9.5	75	15	8.5	10	115	80	95	8
BI-1 13/16"/60-140	1 13/16"	60	114	90	74	14	9.5	75	15	8.5	10	140	105	115	8
BI-1 13/16"/65-85	1 13/16"	65	108	98	80	14	9.5	80	15	8.5	10	85	50	65	8
BI-2 1/8"/65-85	2 1/8"	65	108	98	80	14	9.5	80	15	8.5	10	85	50	65	8

\*) The BI Ø50 has two, threaded M8-holes for carrier pegs, on a 70 mm pitch diameter. See section Technical Specification for more information.