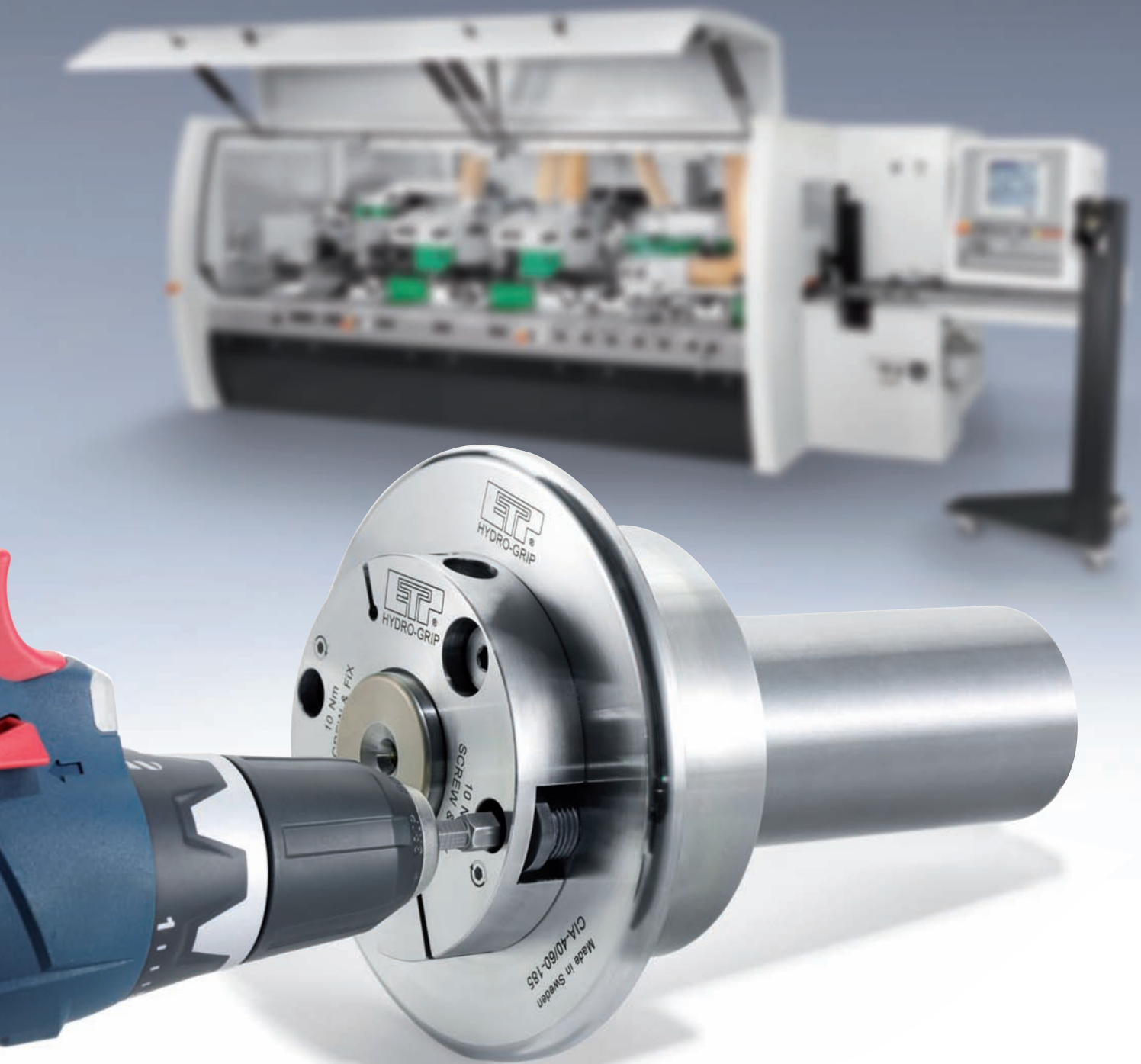


Woodworking

ETP[®]
HYDRO-GRIP

ETP HYDRO-GRIP[®] CIA



NEW! Superfast pressurizing
with a Power Tool!

Reduce the set up time and increase your cash flow!

You know there is no secret that quick tool changes and minimal set up time is an easy way to save money, the true challenge is to find out how to do it.

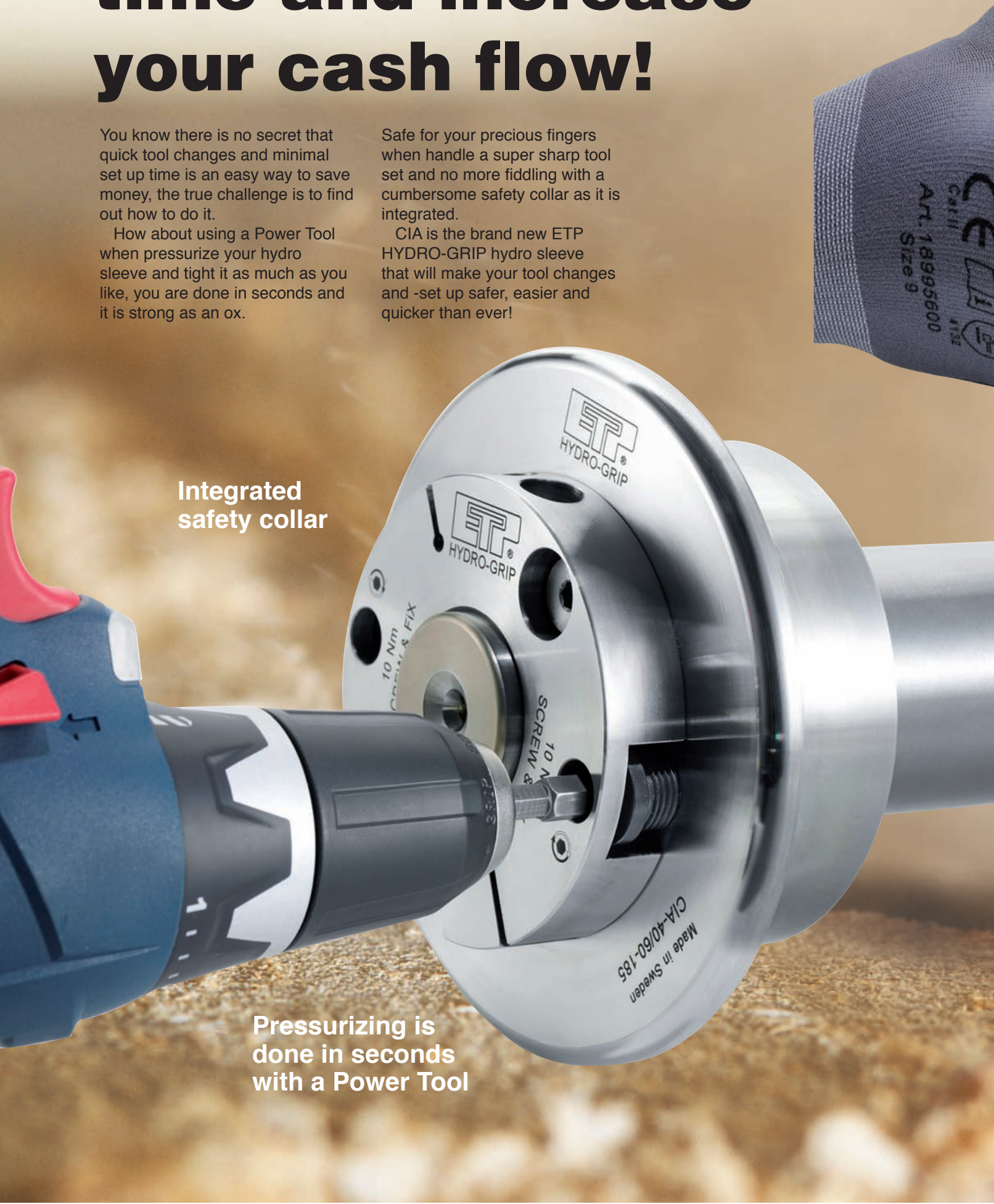
How about using a Power Tool when pressurize your hydro sleeve and tight it as much as you like, you are done in seconds and it is strong as an ox.

Safe for your precious fingers when handle a super sharp tool set and no more fiddling with a cumbersome safety collar as it is integrated.

CIA is the brand new ETP HYDRO-GRIP hydro sleeve that will make your tool changes and -set up safer, easier and quicker than ever!

Integrated safety collar

Pressurizing is done in seconds with a Power Tool





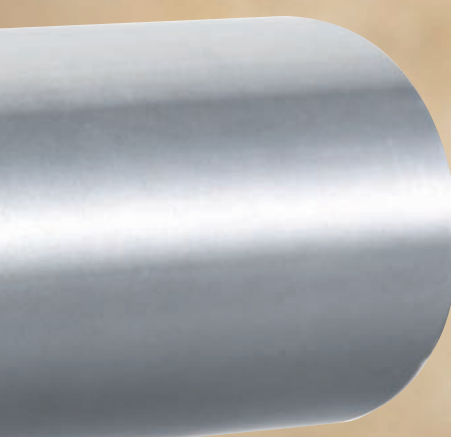
Ergonomic design for safe and easy handling



Pressurized with a Power Tool
Superfast pressurizing in a few seconds.



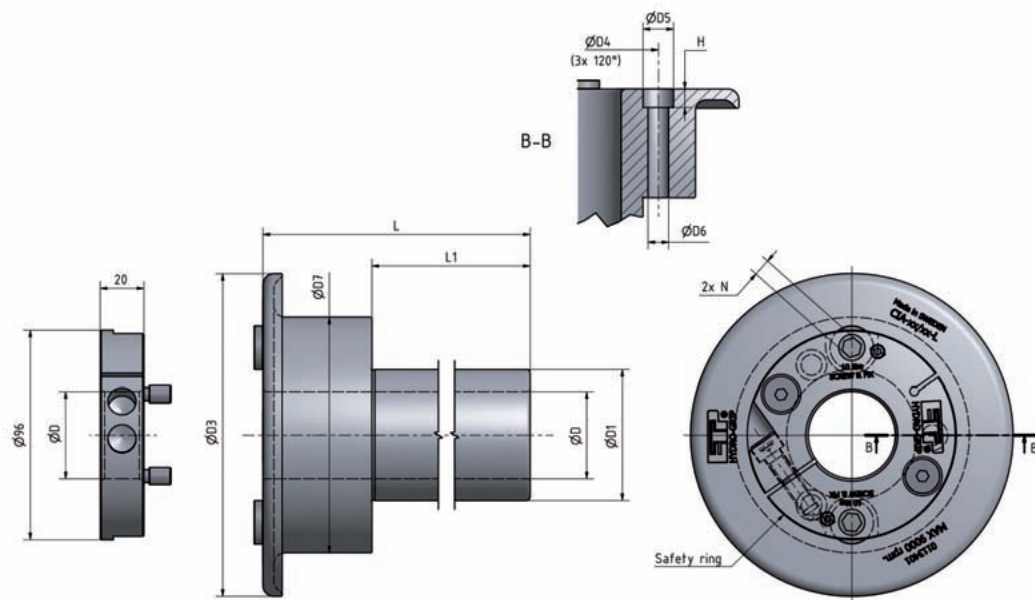
Interchangeable assembly
The sleeve expands, is centered and fixed in place, both against the tool and the machine spindle.



Features and Benefits

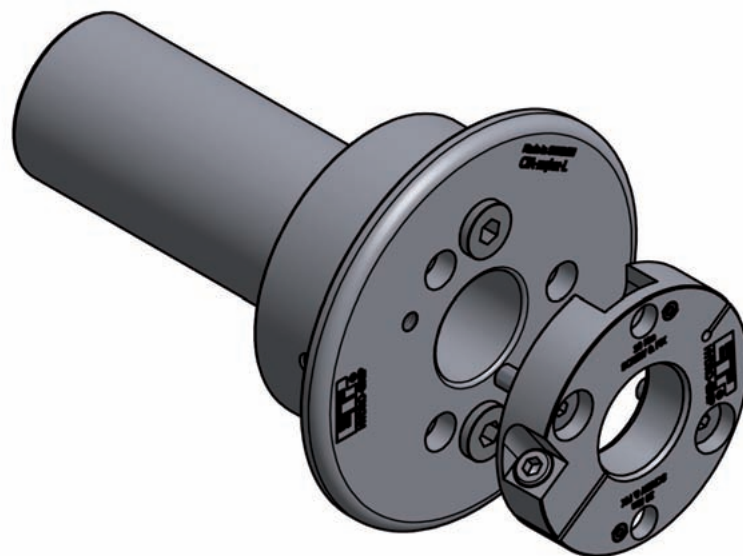
- Pressurizing is done in seconds with a Power Tool.
- Integrated safety collar with hydro sleeve.
- Ergonomic design for safe and easy handling.

ETP HYDRO-GRIP® CIA



Technical specification ETP HYDRO-GRIP® CIA

Type	D	D1	D3	D4	D5	D6	D7	H	L	L1
CIA-40/60-185	40	60	148	74	14	9,5	108	8,5	185	135
CIA-40/60-202	40	60	148	74	14	9,5	108	8,5	202	152
CIA-1 1 13/16"/60-185	1 13/16"	60	148	74	14	9,5	108	8,5	185	135



ETP Transmission AB
 Box 1120, SE-58111 Linköping, Sweden
 E-mail: info@etp.se



ETP Transmission Inc.
 125 Old Gate Lane
 Milford, CT 06460. US

www.etp.se