



**Benefits and features**

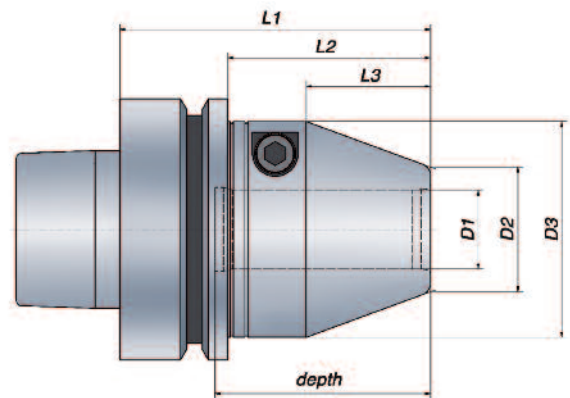
- Short overhang
- Easy handling
- High clamping force
- Can be used with reduction sleeves

short design 75 mm



**ETP HYDRO-GRIP® COMPACT HSK 63F**

The short design of 75 mm makes COMPACT your ideal replacement for any ER collet holder. Allowing more and more users to fully benefit from all the positives of hydraulic clamping such as easy handling and decreased tool wear. COMPACT has a very compact and robust design. Tools changes are made quickly, easily and with a high level of precision. The high clamping force guarantees a secure clamping of your cutting tools. With a minimum tool runout a good surface finish is achieved along with an extended tool life. COMPACT can be used with reduction sleeves for maximum flexibility.



**Technical Specification**

| HSK size | Part no. | Item description     | Dimensions, mm |    |      |    |    |    |       |           |           |              |
|----------|----------|----------------------|----------------|----|------|----|----|----|-------|-----------|-----------|--------------|
|          |          |                      | D1             | D2 | D3   | L1 | L2 | L3 | depth | T* Nm     | Weight kg | G 2.5 at rpm |
| ● 63     | 705762   | HG COMPACT-12/HSK63F | 12             | 22 | 43.5 | 75 | 49 | 18 | 40    | 60 - 125  | 1.1       | 25 000       |
| ● 63     | 705764   | HG COMPACT-16/HSK63F | 16             | 26 | 48   | 75 | 49 | 28 | 50    | 165 - 270 | 1.1       | 25 000       |
| ● 63     | 705766   | HG COMPACT-20/HSK63F | 20             | 30 | 52   | 75 | 49 | 30 | 52    | 260 - 425 | 1.1       | 25 000       |

| HSK size | Part no. | Item description       | Dimensions, inch |       |       |       |       |       |       |          |           |              |
|----------|----------|------------------------|------------------|-------|-------|-------|-------|-------|-------|----------|-----------|--------------|
|          |          |                        | D1               | D2    | D3    | L1    | L2    | L3    | depth | T* ft-lb | Weight kg | G 2.5 at rpm |
| ● 63     | 705763   | HG COMPACT-1/2"/HSK63F | 0.500            | 0.866 | 1.713 | 2.953 | 1.929 | 0.709 | 1.575 | 55-105   | 1.1       | 25 000       |
| ● 63     | 705765   | HG COMPACT-5/8"/HSK63F | 0.625            | 1.024 | 1.890 | 2.953 | 1.929 | 1.102 | 1.969 | 122-199  | 1.1       | 25 000       |
| ● 63     | 705681   | HG COMPACT-3/4"/HSK63F | 0.750            | 1.181 | 2.047 | 2.953 | 1.929 | 1.181 | 2.047 | 192-314  | 1.1       | 25 000       |

<sup>\*)</sup> T<sub>min</sub> = Minimum transmittable torque using a h6 cylindrical tool, full depth insert.

- Runout accuracy ≤ 0.004 mm at 2.5 x d1 (max. 50 mm)  
≤ 0.00016 inch at 2.5x d1 (max. 1.969 inch)
- Tool shank h6 or h7 can be used

● From stock