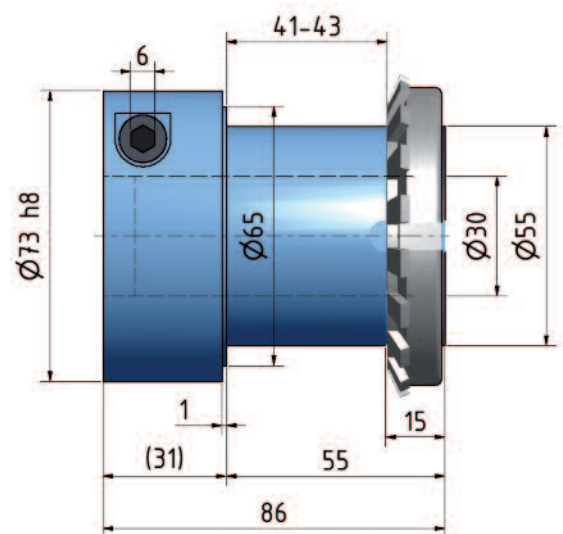


Sleeves for support bearings



ETP HYDRO-GRIP® DI-30/55-86

Sleeves for quick and precise assembly of support bearings for machines with bearings at both ends of the spindle. Pressurizing is carried out with an allen T-wrench.





ETP HYDRO-GRIP® D

Sleeves for **quick and precise assembly** of support bearings for machines with bearings at both ends of the spindle.

