



Benefits and features

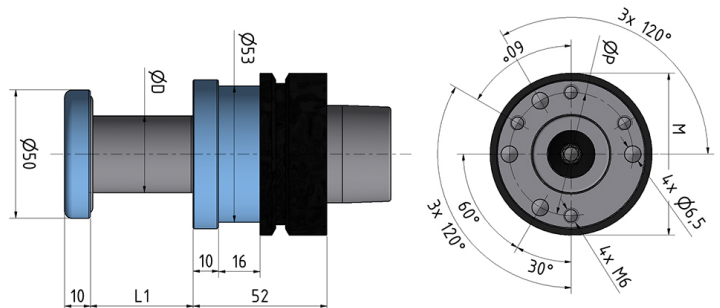
- Quick and precise tool assembly
- High performance and balance
- Redesigned safety ring in light metal
- Multiple tool attachment
- Adapted for three wing tools



ETP HYDRO-GRIP® GE2 HSK 63F

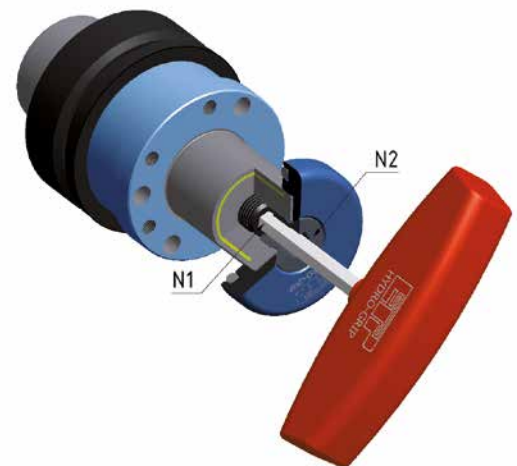
High performance units with perfect balance and runout for the tools. It can even be used in vertical mills, with or without tool changers.

The GE2 arbor allows quick and precise tool assembly and a high degree of flexibility. The arbor is adapted for easy attachment of three wing tools.



Technical specification ETP HYDRO-GRIP® GE2 HSK 63F

Part.no	Item description	Dimensions, mm					
		D	L1	M	P	N1	N2
667090	GE2-20x40/HSK 63F	20	40	53	32	6	8
667020	GE2-25x55/HSK 63F	25	55	53	40	6	8
666610	GE2-30x40/HSK 63F	30	40	58	48	6	8
666650	GE2-30x55/HSK 63F	30	55	58	48	6	8
666550	GE2-30x80/HSK 63F	30	80	58	48	6	8
666340	GE2-30x100/HSK 63F	30	100	58	48	6	8
704738	GE2-40x100/HSK 63F	40	100	67	56	6	8
666710	GE2-1"x40/HSK 63F	1"	40	53	40	6	8
666790	GE2-1"x55/HSK 63F	1"	55	53	40	6	8
666840	GE2-1"x80/HSK 63F	1"	80	53	40	6	8
666890	GE2-1 1/4"x40/HSK 63F	1 1/4"	40	58	48	6	8
666970	GE2-1 1/4"x55/HSK 63F	1 1/4"	55	58	48	6	8
667170	GE2-1 1/4"x100/HSK 63F	1 1/4"	100	63	48	6	8



● From stock